

XL6 Infrared Heater

Highly Efficient Devices, Large Volumes of Instant Heat

Airflow is necessary to ensure proper combustion, it is supplied by the internal burner fan. The air enters the burner funnel and gets mixed with a high-pressure fuel jet. The fuel flow is secured by an electrical pump, which sucks the fuel away from the tank and moves it to the nozzle under high pressure.

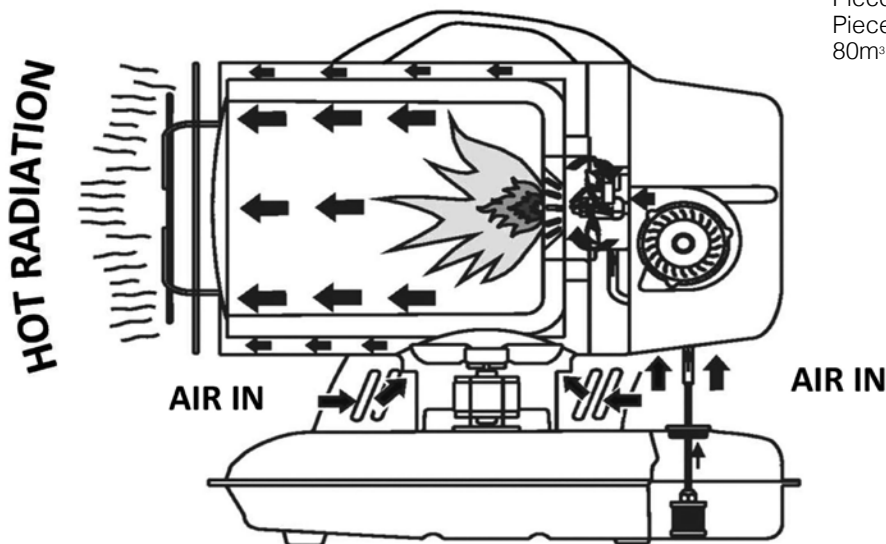


Specifications

Power	kW	17
	Kcal/h	14.600
	Btu/h	58.000
Net Weight	kg	42
Gross Weight	kg	46
Fuel		Diesel/Kerosene
Fuel Consumption	gph	0,4
Tank Capacity	U.S. gal	3
Autonomy	h	7
Power supply	V	120
Frequency	Hz	60
Rated current	A	1,5
Electric power	W	180
Fuse (SLOW)	A	1
Antitilting switch		On board
Overheat thermostat	°C	176
Noisy	dBa	68
Pressure pump	psi	138

Packaging

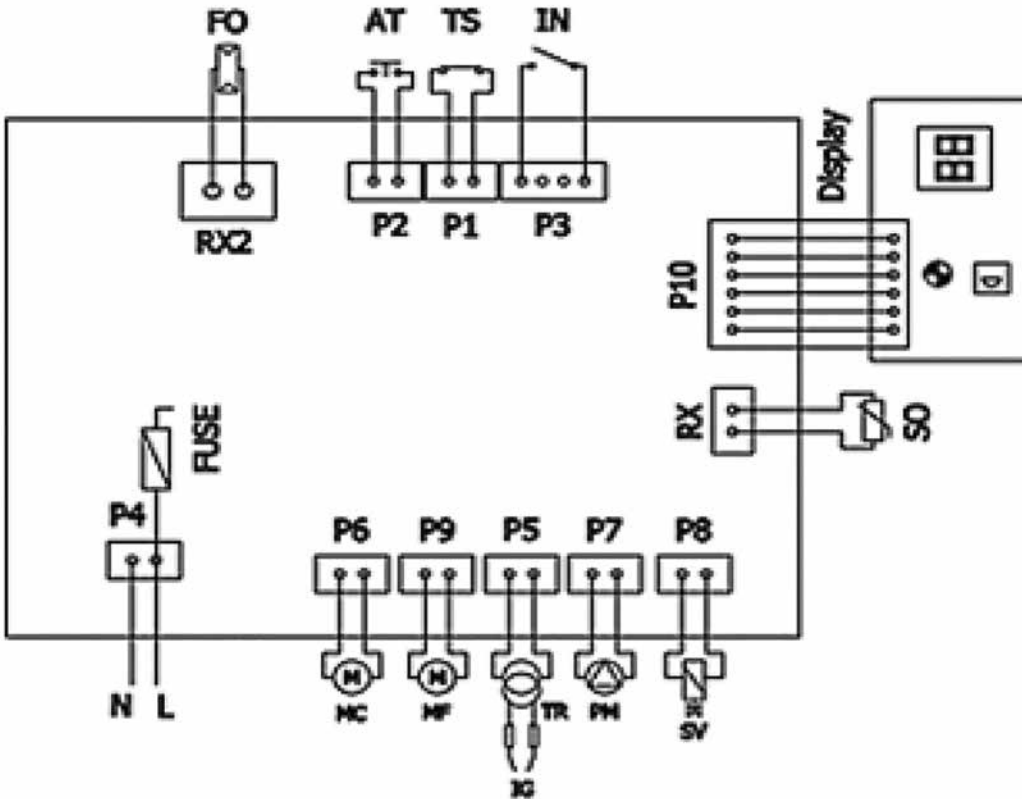
Packaging Dimensions	in	24 x 15 x 23
Dimensions Utilization	in	22 x 14 x 22
Pieces for Europallet	n°	16
Pieces per Truck	n°	528
		80m³



Components

Pump	Electric pump with electrovalve
Nozzle	DANFOSS 0,40 GPH 80° LE H
Flame control Igniter	Electronic board with display for diagnostic
Fuel filter	Bifilar electrodes
Motor	Paper filter 2500 mesh in line - Ø 1,57 in
	Cooling motor shaded-pole, clockwise rotation, 2600 rpm
	Burner motor shaded-pole, clockwise rotation, 2600 rpm
Tank	Material zincoated plated
Inlet filter	Filter 80 mesh
Heat plate	Radiating disk in stainless steel AISI 309 S
Combustion chamber	Ceramic fiber
Fuel level gauge	On board
Ambient thermostat	Knob for regulation on board and display

Wiring



- L: Line
- N: Neutral
- MC: Burner motor
- MF: Cooling motor
- PM: Pump
- IG: Ignitor
- TR: Transformer
- SV: Electrovalve
- SO: Temperature probe
- IN: Switch
- TS: Overheat thermostat
- AT: Anti-Tilting switch
- FO: Photocell



7 Industrial Way, Salem, NH 03079-2817
 Tel: 1-888-315-9007
www.evolvecorp.com