

XL9 Infrared Heater

Highly Efficient Devices, Large Volumes of Instant Heat

Infrared heaters deliver heat fast and exactly to the place where it is required without any air movement. They are suitable for dust-free drying walls or paints, defrosting machinery or pipe lines, heating the working areas. This powerful technology allows significant energy saving and can be used in dusty areas or outside.



Packaging

Packaging Dimensions	in	47 x 30 x 45
Dimensions Utilization	in	42 x 28 x 39
Pieces for Europallet	n°	1
Pieces per Truck	n°	68

Specifications

XL9 E

Power	kW	43
	Kcal/h	37.000
	Btu/h	146.900
Combustible		Diesel/Kerosene
Net weight	lb	158
Gross weight	lb	196
Noisy	dBa	65
Fuel consumption	gph	0,9
Tank capacity	U.S. gal	14
Autonomy	h	13
Power supply	V	110-120
Frequency	Hz	60
Rated current	A	1,2
Electric power	W	140
Pressure pump	psi	145

XL9 S

1 Step Power	kW	29
	Kcal/h	25.000
	Btu/h	99.300
2 Step Power	kW	43
	Kcal/h	37.000
	Btu/h	146.900
Combustible		Diesel/Kerosene
Net weight	lb	158
Gross weight	lb	196
Noisy	dBa	65
Fuel consumption	gph	0,6 1 Step 0,9 2 Step
Tank capacity	U.S. gal	14
Autonomy	h	21-15
Power supply	V	110-120
Frequency	Hz	60
Rated current	A	1,4
Electric power	W	170
Pressure pump	psi	145 1 Step 260 2 Step

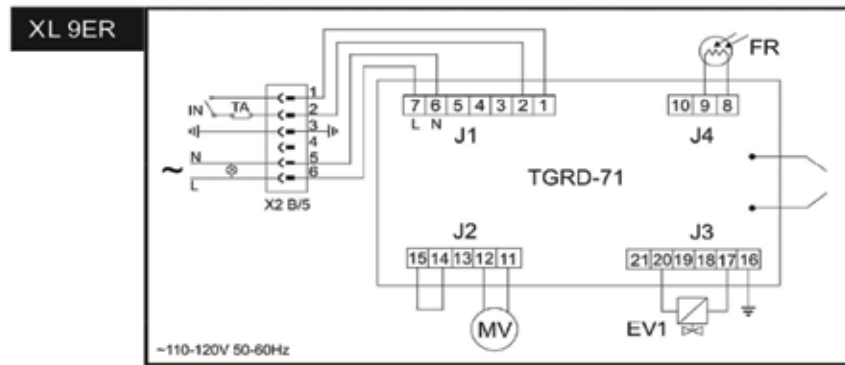
Components

Pump	Danfoss BFP - rotary with element filter
Nozzle	DANFOSS 0,85 GPH 60° S 1 Step
	DANFOSS 0,60 GPH 60° S 2 Step
Flame control	Electronic board and separately transformer
Accenditore	Bifilar electrodes
Fuel filter	In line da 230 mesh
Burner	Professional Independent Burner
Tank	Steel
Heat plate	Heat plate in inox AISI 309 S
Combustion chamber	Material ceramic fiber
Fuel level gauge	Fuel gauge on the tank

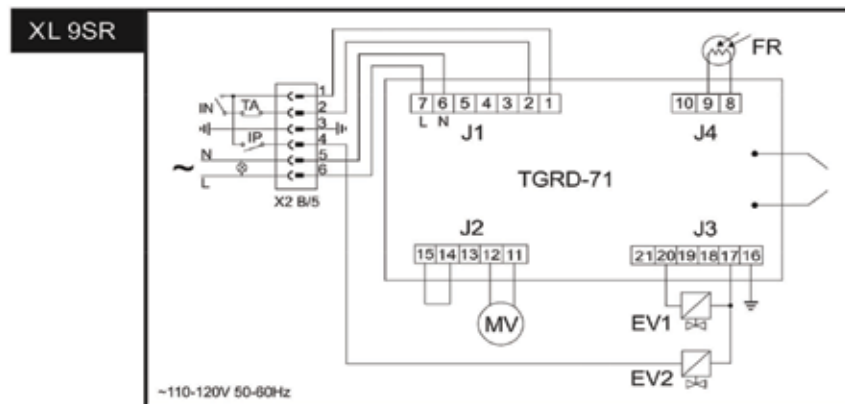
Components

Ambient thermostat Filter pre-heating	Thermostat TH5
	Predisposition for connection of pre-heat filter

Wiring



1 STEP



2 STEP

- L1: Line
- N: Neutral
- TA: Ambient thermostat
- S1: Switch
- SV1: Switch
- H1: Operate lamp
- A1: Control flame
- SV2: Switch second potentiality
- A8: Control post-ventilation
- B1: Photocell
- MV: Motor ventilation
- TR: Transformer
- Y1: Electrovalve **1 STEP**
- Y2: Electrovalve **2 STEP**
- X1B/S: Power connector
- F.P.: Filter pre-heating

evolve
emergency
PREPAREDNESS

7 Industrial Way, Salem, NH 03079-2817
Tel: 1-888-315-9007
www.evolvecorp.com