

► **Drake ECU** - Environmental Control Units

Drake ECU is a custom provider of specialized ECU's (Environmental Control Units) for homeland security, domestic preparedness and COTS military applications. The DRAKE line of portable ECU's offers all-in-one service for air conditioning, heating and dehumidifying for all field applications. We offer many different mounting configurations to include: cart mount, trailer mounted and skid mounted. All units come complete with power cord and plug end of your choice, two (2) each 14" X 10' lengths of high quality PVC ducting, Remote Temp Controller with 25' cable and storage case. Custom designed fast acting temperature controller developed to overcome the problems of rapid temperature swings. Set your temperature once and forget it, no switching for heating or cooling. All units are available with electric resistance heat. Natural Gas and LP heating options are also available upon request.



Cart Mount ECU



Trailer Mounted ECU



Skid Mounted ECU



Remote Temp Controller

**COMPLETELY CUSTOMIZABLE**

Until now most portable ECU providers offer only one or two different size capacity units. DI has a wide variety of units with varying capacities. In addition DI offers a variety of mounting platforms in which to choose. We will work closely with our customers to design a unit that best fits their needs, application and budget.

**MOUNTING OPTIONS**

Cart Mount, Trailer Mount, and Skid Mount: Standard cart is formed with 1" x 2" steel tubing for the base and 1" x 1" steel tubing for the frame. All steel is then powder coated in a black textured finish. Custom designed carts are available with minimum up charge.

**QUALITY**

We only use the highest quality parts from the most qualified manufacturers. We use only 13 SEER or better units. Our units are efficient, quiet, easy to service and extremely reliable.

**WARRANTY**

ISI will furnish a replacement or repair any part of this product which fails in normal use and service within the applicable periods stated (1 year on parts; 1 year on compressor).

**Call Us Today at  
1-888-315-9007  
or visit: [evolvetechnology.com](http://evolvetechnology.com)**



7 Industrial Way, Salem, NH 03079-2817

Evolve Emergency Preparedness is a Division of Evolve Technologies Corporation. Evolve and the Evolve logo are trademarks of Evolve Technologies Corporation, 7 Industrial Way, Salem, NH 03079. All other products and product names are trademarks of their respective holders.

AIRISO EMAT - Emergency Medical Air Technology  
AIRISO PASS - Portable Air Safety Systems  
AIRISO PASS 1600IU - Portable Air Safety System for Isolation  
Drake ECU - Environmental Control Units

► **AIRISO EMAT** - Emergency Medical Air Technology

AIRISO EMAT units uniquely integrate their patented technology with high-quality HVAC equipment into a single complete package. EMAT units can create either positive pressure "protective isolation" or negative pressure "medical isolation," utilizing HEPA filtration and UltraViolet germicidal irradiation to capture, contain and neutralize all biological contaminants. In addition, our EMAT systems exceed CDC guidelines for air changes when utilized with an isolation area of the appropriate size. Most importantly, our EMAT units can be used in conjunction with any portable shelter or building to create unmatched capability for medical isolation protection. AIRISO EMAT 3T and 5T units are extremely durable and all weather capable.

AIRISO EMAT units can create either positive pressure protection or negative pressure medical isolation, utilizing HEPA filtration and UVC irradiation to capture, contain and neutralize all biological contaminants.



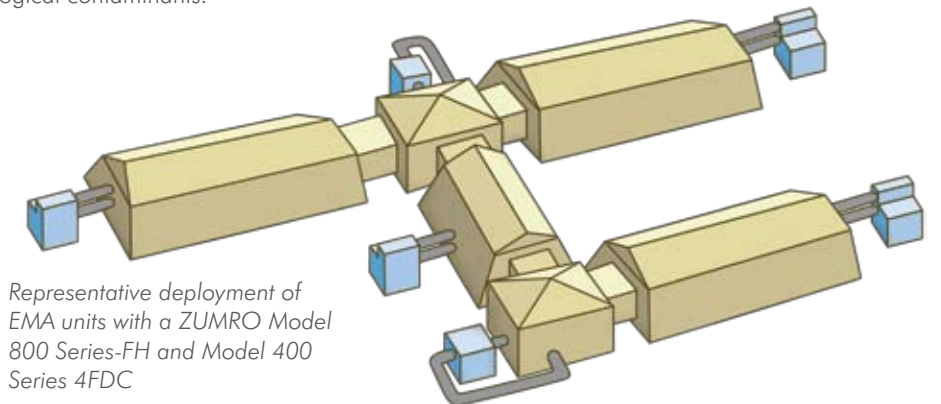
► **EMAT- 3T**

- Positive Pressure Protective Isolation
- Negative Pressure Medical Isolation
- Continuous pressure monitoring of isolation area
- 68,000 BTU heating capacity
- 36,000 BTU cooling capacity
- All-weather durability
- Adjustable air flow 1,100 CFM max
- Ozone (optional) for post-event decon
- 5,500 cu. ft. max shelter size

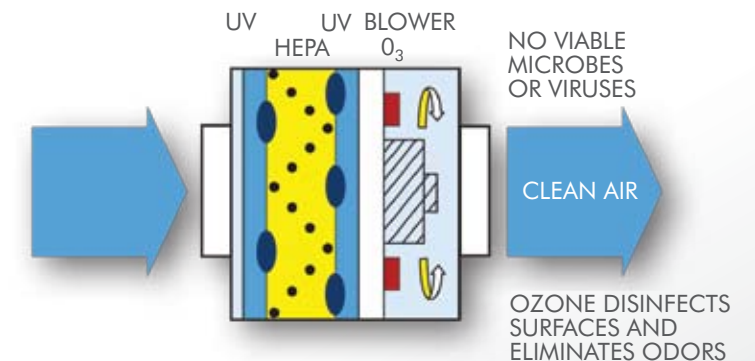


► **EMAT- 5T**

- Positive Pressure Protective Isolation
- Negative Pressure Medical Isolation
- Continuous pressure monitoring of isolation area
- 94,000 BTU heating capacity
- Combination Heat Pump/Electric Heat Coils
- 60,000 BTU cooling capacity
- All-weather durability
- Adjustable air flow - 2,400 CFM max
- Ozone (optional) for post-event decon
- 12,000 cu. ft. max shelter size



Representative deployment of EMA units with a ZUMRO Model 800 Series-FH and Model 400 Series 4FDC



AIRISO's patented technology utilizes high flow HEPA filters in combination with UltraViolet Germicidal Irradiation to achieve unmatched performance to "Capture, Contain and Neutralize" bioaerosols and particulates of all types and sizes.



## AIRISO PASS - Portable Air Safety Systems

AIRISO PASS (Portable Air Safety Systems) line of equipment meets all of your air scrubbing or medical isolation needs, as well as odor abatement and general air purification requirements. We reach unmatched levels of performance by employing our patented technology of HEPA filtration and UVC irradiation as a portable system on wheels. The HEPA filter is under 24/7 UVC irradiation, neutralizing all bioaerosol contamination captured by the filter. All PASS units incorporate high flow HEPA filters rated at 99.99% effective at 0.3 microns.



### PASS-MINI

- 0-700 cfm capacity
- Heavy-duty 16-gauge metal cabinet
- Oversized HEPA filter
- UltraViolet lamps
- Ozone capabilities
- Rapid change filter
- Ability to test the air during operation
- Dual speed fan
- Front and rear duct adapters

#### SPECIFICATIONS

- Dimensions: 32.5L x 12.75W x 18"H (82.6 x 32.4 x 45.7cm)
- Electrical requirements: 4.4 amps, 115 volts, 12' power cord
- Shipping weight: 94 lb. (43kg)



### PASS-HAZMAT

- 500-700 cfm capacity
- Heavy-duty 16-gauge metal cabinet
- Oversized HEPA filter
- UltraViolet lamps
- Ozone capabilities
- Rapid change filter
- Ability to test the air during operation
- Dual speed fan
- Front and rear duct adapters

#### SPECIFICATIONS

- Dimensions: 34.5L x 16.5W x 32.5"H (88 x 42 x 83cm)
- Electrical requirements: 4.4 amps, 115 volts, 12' power cord
- Shipping weight: 152 lb. (69kg)



### PASS-700

- 500-700 cfm capacity
- Heavy-duty 16-gauge metal cabinet
- Oversized HEPA filter
- UltraViolet lamps
- Ozone capabilities
- Rapid change filter
- Ability to test the air during operation
- Dual speed fan
- Front and rear duct adapters

#### SPECIFICATIONS

- Dimensions: 37.5L x 16.5W x 32.5"H (95 x 42 x 83cm)
- Electrical requirements: 4.4 amps, 115 volts, 12' power cord
- Shipping weight: 152 lb. (69kg)



### PASS-1000

- 1,000 cfm capacity
- Heavy-duty 16-gauge metal cabinet
- Oversized HEPA filter
- UltraViolet lamps
- Ozone capabilities
- Rapid change filter
- Ability to test the air during operation
- Front and rear duct adapters

#### SPECIFICATIONS

- Dimensions: 44.5L x 19.5W x 32.5"H (114 x 50 x 84cm)
- Electrical requirements: 10 amps, 115 volts, 12' power cord
- Shipping weight: 220 lb. (100kg)



### PASS-2000

- 1,500-2,000 cfm capacity
- Heavy-duty 16-gauge metal cabinet
- Oversized HEPA filter
- UltraViolet lamps
- Ozone capabilities
- Rapid change filter
- Ability to test the air during operation
- Dual speed fan
- Front and rear duct adapters

#### SPECIFICATIONS

- Dimensions: 45L x 29.5W x 34.5"H (114 x 75 x 89cm)
- Electrical requirements: 14 amps, 115 volts, 12' power cord
- Shipping weight: 285 lb. (129kg)



The PASS - 1000 pictured here is connected to a 14" disposable duct. This unit is being used for an isolation scenario.

#### APPLICATIONS

- Negative Pressure Medical Isolation
- Positive Pressure Protective Isolation
  - Air Scrubbing
- Post -Event Decontamination
  - Odor Abatement
  - Smoke Removal

## AIRISO PASS 1600IU - Portable Air Safety Isolation Unit

The PASS - 1600 IU Unit (Portable Air Safety Systems Isolation Unit) has been designed to meet or exceed the CDC guidelines for Medical Isolation in all Field Hospital and Surge applications. We reach unmatched levels of performance by employing our patented technology of HEPA filtration and UVC irradiation in a portable system. The PASS - 1600 ISO can create either positive pressure "Collective Protection" or negative pressure "Medical Isolation" utilizing our patented technology to capture, contain and neutralize biological contaminants in all weather conditions. Most importantly the PASS - 1600 ISO unit can be use in conjunction with any portable shelter or building to create unmatched capability for medical isolation protection.



- Positive Pressure Protective Isolation
- Negative Pressure Medical Isolation
- Continuous Pressure Monitoring of Isolation Area
- Automatic Download Data Logging
- Variable Speed Blower 0 to 1600 cfm
- Digital Display of Room Pressure and HEPA Filter Pressure
- Oversized Rapid Change High Flow HEPA Filter with UVGI
- Performance Monitoring with Audio and Visual Alarms
- Ozone Generators for Post Event Decon
- All Weather Durable Construction
- 8000 Cubic Foot Capacity at 12 Air Changes Per Hour



PASS 1600 IU controller displays area and filter pressure simultaneously in real time to give Health Care Workers and First Responders peace of mind.

#### APPLICATIONS

- Negative Pressure Medical Isolation For Portable Field Hospitals
  - Mid to Large Scale Medical Isolation for Healthcare
- Post -Event Decon
  - Air Scrubbing (Infectious Bio Aersols)
  - Odor Abatement
  - Smoke Removal

Size.....36.5" H x 18.5"W x 41"L

Weight.....236 lbs

Power Rating & Electrical Requirements.....115 Volts, 11.5 Amps, 60Hz, 1322 Watts, 12' Power Cord

Airflow Capacity.....0 to 1600 cfm Electronic Speed Control

Airflow Ports.....2 Inlets with adjustable dampers for flow control – 14" and 10"

2 Outlets with adjustable dampers for flow control – 14" and 10"

Filter: High Capacity HEPA.....24" T x 18" W x 11.5" D – Deep "V" Filter, 99.99% @ 0.3 Microns

Filter: Prefilter (optional).....24" T x 18" W x 2" D – Carbon Poly Media Prefilter

UVGI Lamps.....Front Bank: 4 Lamps On Removable Frame

Rear Bank: 5 Lamps On Fixed Frame

Bulb Intensity: 120 Microwatts/CM2

254NM Germicidal Wavelength

Ozone.....4.2 Micrograms Per Hour

Displays and Alarms.....Visual Alarm on Controller to Indicate Bulb Failure

Visual and Audio Alarms on Controller to indicate HEPA Filter replacement

Visual and Audio Alarms on Controller to indicate Area Pressure Failure

Controls.....Differential Airflow Dampers to adjust room pressure – On Unit

Ozone Enabling: On-Off Removable Key Switch – On Unit

Ozone Timer: Activates Ozone Production – On Controller

Sensor Monitoring With USB Port For Time Stamped Data Transfer

Cabinet.....16 Gauge Steel – Powder Coated

Color: Red (standard) – Other colors available

Easy Access Panel for Filter Replacement

Soft Ride Casters (standard) – Pneumatic Turf Tire available